

WESTSIDE SUPPLIES



COST EFFECTIVE CONNECTORS

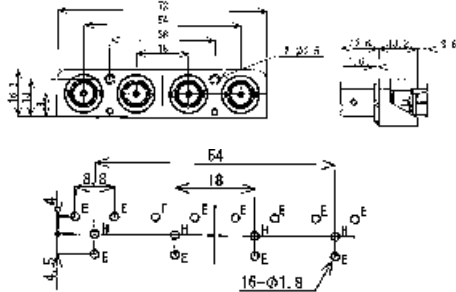
New Products - November 2008



75 BNC CONNECTORS

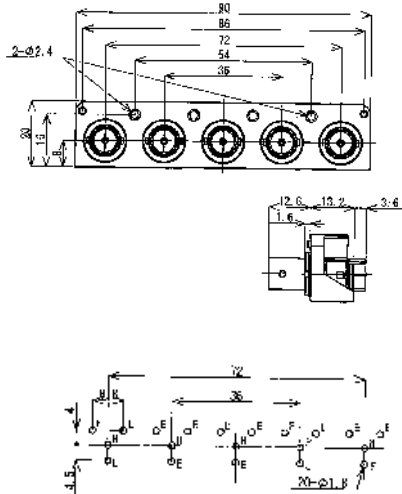
WESTSIDE SUPPLIES LIMITED +44(0)1243-860626

P2495
SHIELDED 75



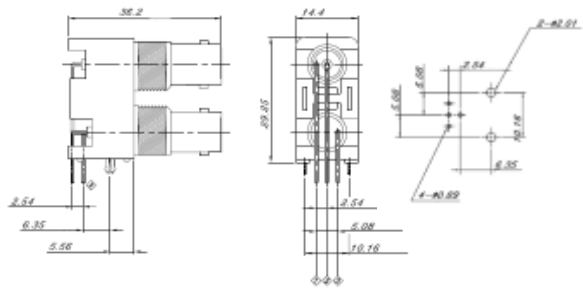
4 WAY VERTICAL
PCB MOUNT

P2496
SHIELDED 75



5 WAY VERTICAL
PCB MOUNT

DB-901AK



DUAL HEIGHT
PCB MOUNT

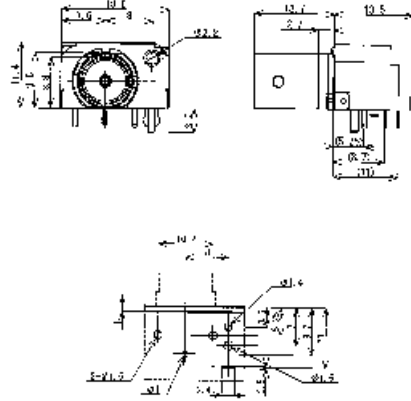


75 BNC CONNECTORS

WESTSIDE SUPPLIES LIMITED +44(0)1243-860626

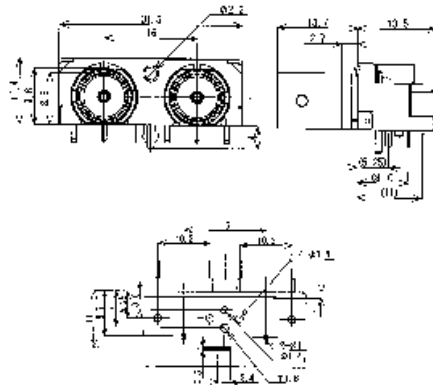
SINGLE RIGHT ANGLED
LOW PROFILE PCB MOUNT

P2484-YAAA
SHIELDED 75



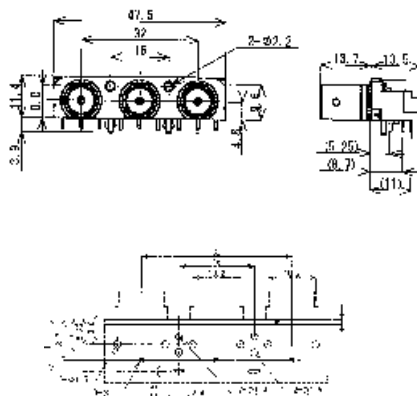
2 WAY RIGHT ANGLED
LOW PROFILE PCB MOUNT

P2483-YAAA
SHIELDED 75



3 WAY RIGHT ANGLED
LOW PROFILE PCB MOUNT

P2485-YAAA
SHIELDED 75



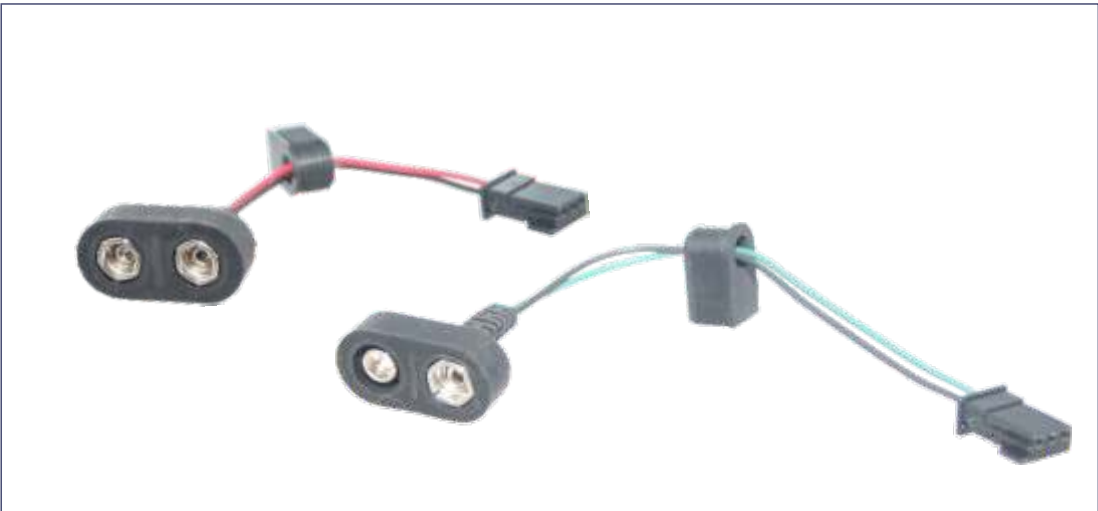


CUSTOM CABLES

WESTSIDE SUPPLIES LIMITED + 44(0)1243-860626



USB CONVERTER CABLE
TTL232R - CUSTOM PLUG



AUTO ANTENNA
CONNECTOR CABLE



SATA CABLES

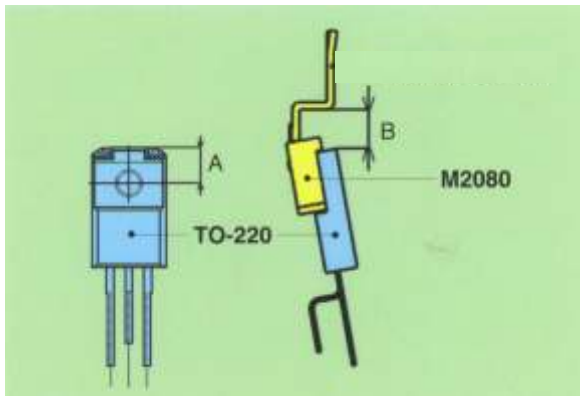


BUSHINGS AND TERMINALS

WESTSIDE SUPPLIES LIMITED + 44(0)1243-860626

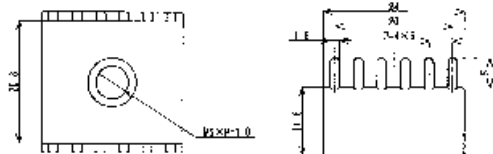
TO-220 FULLPACK
TRANSISTOR HOLDER

M2080

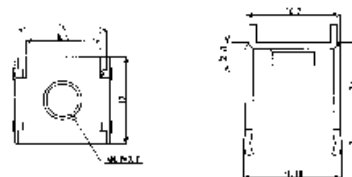


SCREW TERMINALS
PCB MOUNT

M2064



M2046



WESTSIDE SUPPLIES LIMITED
'WESTSIDE'
SHRIPNEY ROAD
BOGNOR REGIS
WEST SUSSEX
PO22 9NX
UNITED KINGDOM

TEL: +44(0)1243-860626
FAX: +44(0)1243-866626

EMAIL: sales@westside-supplies.co.uk

website: www.westside-supplies.co.uk

For further information or full catalogues of all our product ranges, contact us today or visit our website.