



SPECIFICATION :

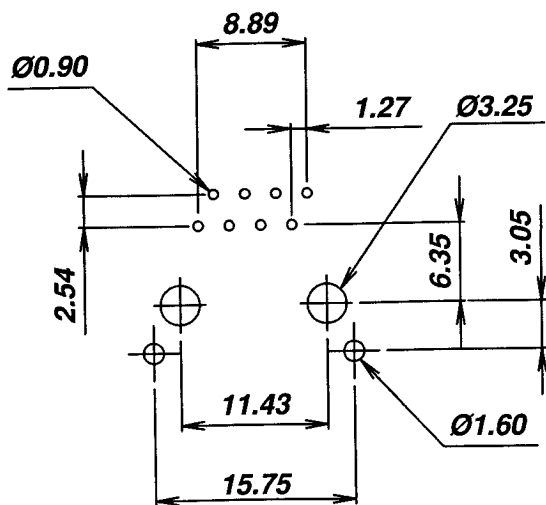
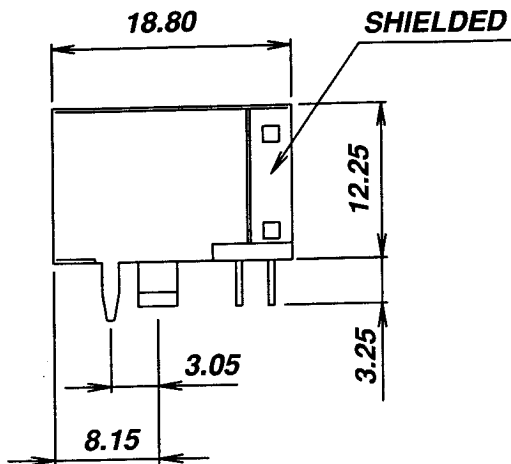
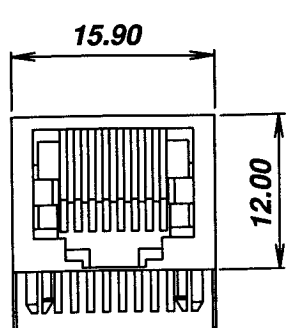
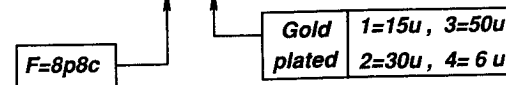
1. Electrical Char.

- Insulation Resistance : 500M-Ohm Min.
- Contact Resistance : 20milli-Ohm Max.
- Rating Current : 1.5A Max.
- Rating Voltage : 120V AC
- Dielectric Voltage : 1,000 Vrms 60 Sec. Min.

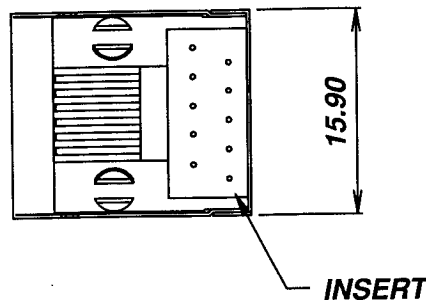
2. Physical char.

- Housing : PBT Glass Filled (UL 94V-0)
- Color : Black Color
- Spring Wire : 0.45mm Dia. Phosphor Bronze
- Gold Plating Over Nickel
- Temperature Range : - 25 /+90 Deg C
- Durability : 500 Mating cycles Min.

AJ-019SH-9-F-X-A1-N1



**PCB Layout
(Top View)**



ALLSUN CORPORATION

9FL,NO.292 SEC.7 CHENG TEH ROAD.TAIPEI TAIWAN.
E - mail Address : allsun@globalsources.com

TITLE
VERY LOW PROFILE PCB SHIELDED JACK
UL & cUL FILE NO. E131820

**MODULAR JACKS ASSY FOR
AJ-019SH-9-F-X-A1-N1**

SCALE SIZE DWG. NO. 9698S SERIES

NOT SCALED DRAWING	TOLERANCE UNLESS OTHERWISE NOTICE	INCH	MM	DR.	DATE
 THIRD ANGLE PROJECTION	LINEAR $\frac{MM}{INCH}$	00±0.01	00±0.25	Steven	JAN-12 '05
		000±0.005	000±0.13	Johnn	JAN-12 '05
	ANGLE +0°30'	RADIL	+0.45 -0.15	Billy	JAN-12 '05

DWG. NO.
AS019024