



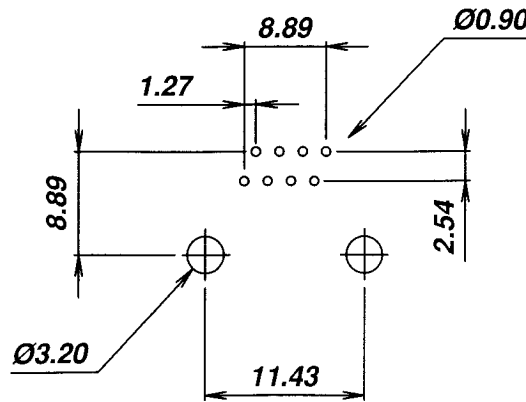
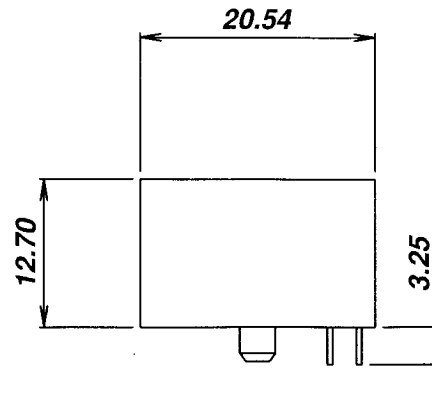
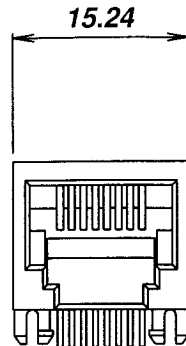
SPECIFICATION :

1. Electrical Char.

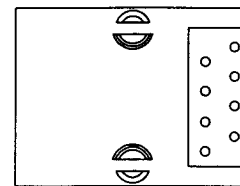
Insulation Resistance : 500M-Ohm Min.
 Contact Resistance : 20milli-Ohm Max.
 Rating Current : 1.5A Max.
 Rating Voltage : 120V AC
 Dielectric Voltage : 1,000 Vrms 60 Sec. Min.

2. Physical char.

Housing : PBT Glass Filled (UL 94V-0)
 Color : Black Color
 Spring Wire : 0.45mm Dia. Phosphor Bronze
 Gold Plating Over Nickel
 Temperature Range : - 25 /+90 Deg C
 Durability : 500 Mating cycles Min.



PCB LAYOUT
(Top View)



AJ-008-8-F-X-N ← FLANGELESS

F=8p8c

Gold plated 1=15u, 3=50u
2=30u, 4= 6 u

ALLSUN CORPORATION

9FL,NO.292 SEC.7 CHENG TEH ROAD.TAIPEI TAIWAN.
E - mail Address : allsun@globalsources.com

TITLE
RJ45 SIDE ENTRY PCB JACK
UL & cUL FILE NO. E131820

MODULAR JACKS ASSY FOR
AJ-008-8-F-X-N

SCALE SIZE DWG. NO. 9638 SERIES

DWG. NO. **AS008002**

NOT SCALED DRAWING	TOLERANCE UNLESS OTHERWISE NOTICE	INCH	MM	DR. Steven	DATE SEP-07 '04
THIRD ANGLE PROJECTION	LINEAR $\frac{MM}{INCH}$	00±0.01 000±0.005 0000±0.002	00±0.25 000±0.13 0000±0.05	CK'D Johnn	SEP-07 '04
$\frac{MM}{INCH}$	ANGLE +0°30'	RADIL	+0.45 -0.15	APP'D Billy	SEP-07 '04