



SPECIFICATION :

1. Electrical Char.

Insulation Resistance : 500M-Ohm Min.
 Contact Resistance : 20milli-Ohm Max.
 Rating Current : 1.5A Max.
 Rating Voltage : 120V AC
 Dielectric Voltage : 1,000 Vrms 60 Sec. Min.

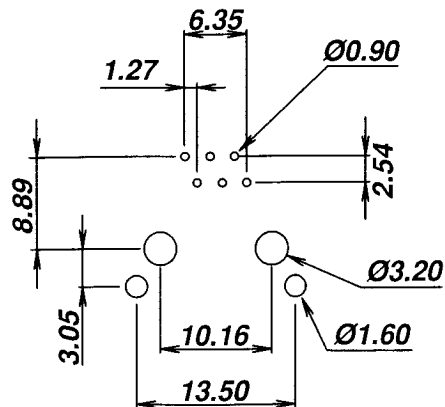
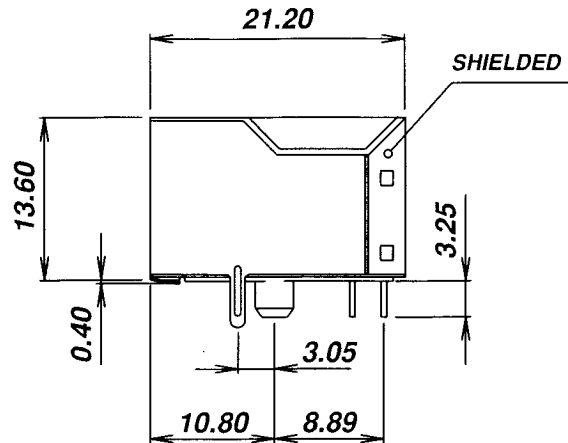
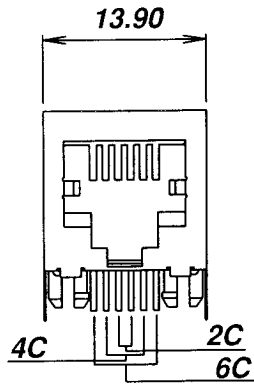
2. Physical char.

Housing : PBT Glass Filled (UL 94V-0)
 Color : Black Color
 Contact Wires : 0.45mm Dia. Phosphor bronze
 Gold Plating Over Nickel
 Temperature Range : - 25 /+90 Deg C
 Durability : 500 Mating cycles Min.

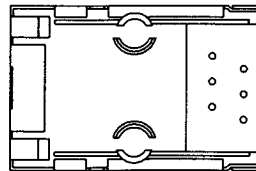
AJ-007SH-6-X-X-A1-N1

B=6p2c, C=6p4c
 D=6p6c

Gold plated 1=15u, 3=50u
 2=30u, 4= 6 u



**PCB LAYOUT
(Top View)**



ALLSUN CORPORATION

9FL,NO.292 SEC.7 CHENG TEH ROAD.TAIPEI TAIWAN.
 E - mail Address : allsun @ globalsources. com

TITLE

RJ11 or RJ12 SIDE ENTRY SHIELDED PCB JACK
 UL & cUL FILE NO. E131820

MODULAR JACKS ASSY FOR
 AJ-007SH-6-X-X-A1-N1

SCALE SIZE DWG. NO. 9636S SERIES

NOT SCALED DRAWING	TOLERANCE UNLESS OTHERWISE NOTICE	INCH	MM	DR. Steven	DATE NOV-23 '04
THIRD ANGLE PROJECTION	LINEAR $\frac{MM}{INCH}$	00 ± 0.01 000 ± 0.005 0000 ± 0.002	00 ± 0.25 000 ± 0.13 0000 ± 0.05	CK'D Johnn	NOV-23 '04
	ANGLE +0'30'	RADIL	+0.45 -0.15	APP'D Billy	NOV-23 '04

DWG. NO.

AS007005