



SPECIFICATION :

1. Electrical Char.

- Insulation Resistance : 500M-Ohm Min.
- Contact Resistance : 20milli-Ohm Max.
- Rating Current : 1.5A Max.
- Rating Voltage : 120V AC
- Dielectric Voltage : 1,000 RMS 60 Sec. Min.

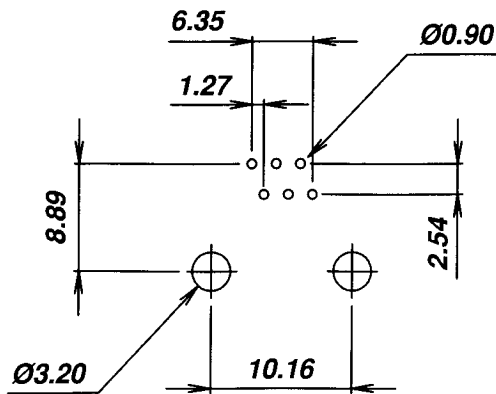
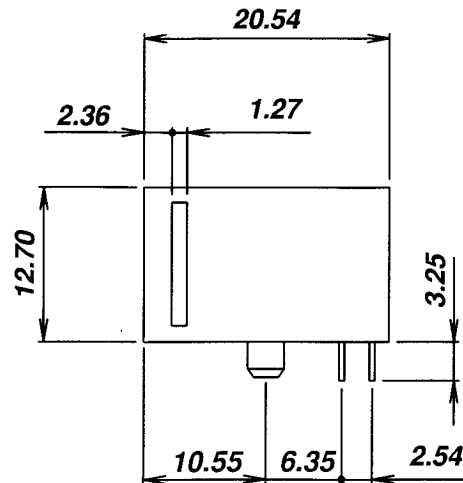
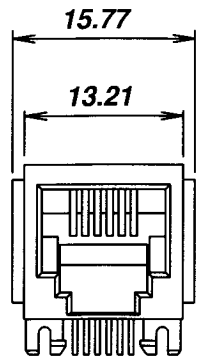
2. Physical Char.

- Housing : PBT Glass Filled (UL 94V-0)
- Color : Black Color
- Spring Wire : 0.45mm Dia. Phosphor Bronze
- Gold Plating Over Nickel
- Temperature Range : - 25 +90 C
- Durability : 500 Mating cycles Min.

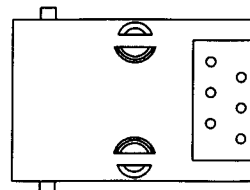
AJ-007-6-X-X

B=6p2c , C=6p4c
D=6p6c

Gold plated 1=15u , 3=50u
2=30u , 4= 6 u



**PCB LAYOUT
(Top View)**



ALLSUN CORPORATION

9FL,NO.292 SEC.7 CHENG TEH ROAD.TAIPEI TAIWAN.
E - mail Address : allsun @ globalsources. com

TITLE

**RJ11 or RJ12 SIDE ENTRY PCB JACK
UL & cUL FILE NO. E131820**

**MODULAR JACKS ASSY FOR
AJ-007-6-X-X**

SCALE SIZE DWG. NO. 9636 SERIES

DWG. NO.
AS007003

DO NOT SECALE DRAWING	TOLERANCES UNLESS OTHERWISE NOTED	INCH	MM	DR. Steven	DATA SEP-19 '03
THIRD ANGLE PROJECTION	LINEAR	MM INCH	00±0.01 000±0.005 0000±0.002	CK'D Johnn	SEP-19 '03
MM INCH	ANGLE +J'30'	RADIL	+0.45 -0.15	APP'D Billy	SEP-19 '03