



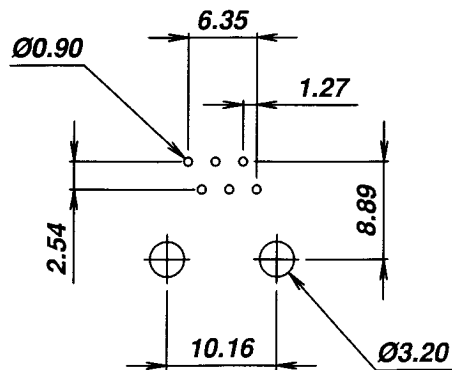
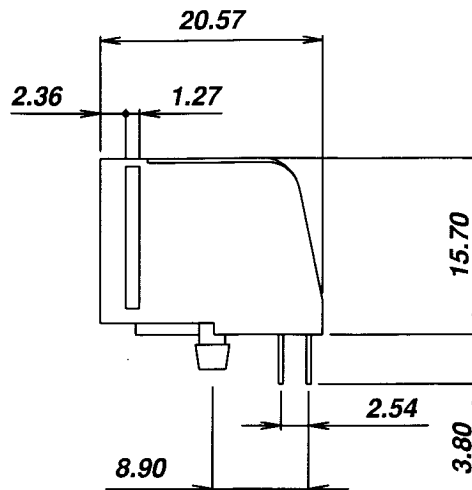
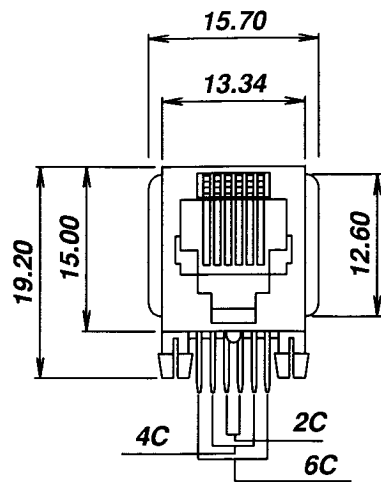
SPECIFICATION :

1. Electrical Char.

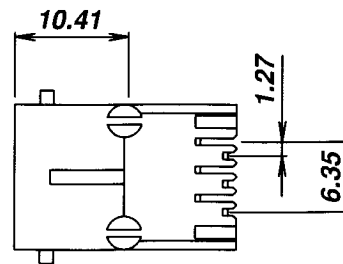
Insulation Resistance : 500M-Ohm Min.
 Contact Resistance : 20milli-Ohm Max.
 Rating Current : 1.5A Max.
 Rating Voltage : 120V AC
 Dielectric Voltage : 1,000 Vrms 60 Sec. Min.

2. Physical char.

Housing : PBT Glass Filled (UL 94V-0)
 Color : Black Color
 Spring Wire : 0.35mm Thickness Phosphor Bronze
 Gold Plating Over Nickel
 Temperature Range : - 25 /+90 Deg C



PCB LAYOUT



AJ-005-6-X-X

B=6p2c, C=6p4c
 D=6p6c

Gold plated 1=15u, 3=50u
 2=30u, 4= 6 u

ALLSUN CORPORATION

9FL,NO.292 SEC.7 CHENG TEH ROAD.TAIPEI TAIWAN.
 E - mail Address : allsun @ globalsources. com

TITLE

**RJ45 SIDE ENTRY PCB JACK
 UL & cUL FILE NO. E131820**

**MODULAR JACKS ASSY FOR
 AJ-005-6-X-X**

SCALE SIZE DWG. NO.9602 SERIES

DWG. NO. **AS005001**

NOT SCALED DRAWING	TOLERANCE UNLESS OTHERWISE NOTICE	INCH	MM	DR.	DATE
THIRD ANGLE PROJECTION	LINEAR	00±0.01	00±0.25	Steven	JUL-30 '04
		000±0.005	000±0.13	Johnn	JUL-30 '04
		0000±0.002	0000±0.05	Billy	JUL-30 '04
	ANGLE +0°30'	RADIL	+0.45 -0.15		