



**SPECIFICATION :**

**1. Electrical Char.**

- Insulation Resistance : 500M-Ohm Min.
- Contact Resistance : 20milli-Ohm Max.
- Rating Current : 1.5A Max.
- Rating Voltage : 120V AC
- Dielectric Voltage : 1,000 Vrms 60 Sec. Min.

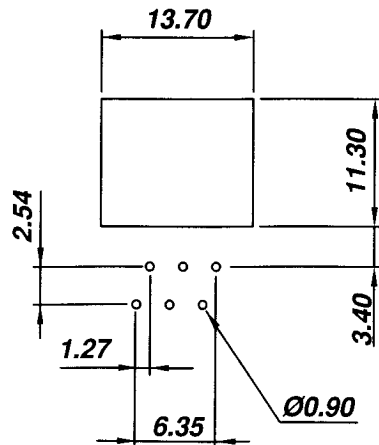
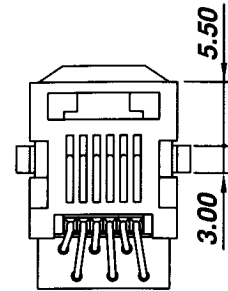
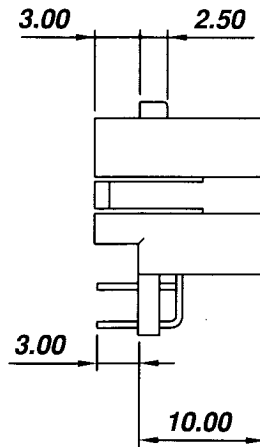
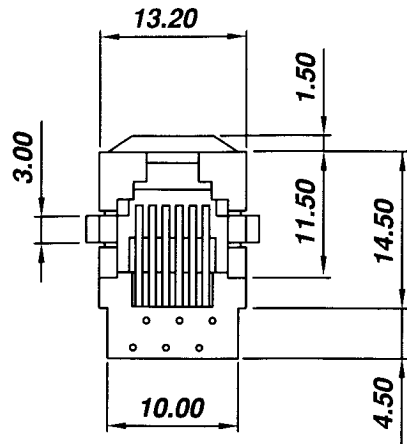
**2. Physical char.**

- Housing : PBT Glass Filled (UL 94V-0)
- Color : Black Color
- Spring Wire : 0.45mm Dia. Phosphor Bronze
- Gold Plating Over Nickel
- Temperature Range : - 25 /+90 Deg C

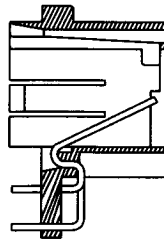
**AJ-003-6-X-X**

B=6p2c, C=6p4c  
D=6p6c

Gold plated 1=15u, 3=50u  
2=30u, 4= 6 u



**PCB LAYOUT  
( Bottom View )**



**ALLSUN CORPORATION**

9FL,NO.292 SEC.7 CHENG TEH ROAD.TAIPEI TAIWAN.  
E - mail Address : allsun @ globalsources. com

TITLE

**RJ11 or RJ12 BOTTOM ENTRY PCB JACK  
UL & cUL FILE NO. E131820**

**MODULAR JACKS ASSY FOR  
AJ-003-6-X-X**

**SCALE SIZE DWG. NO.9703-6 SERIES**

DWG. NO.  
**AS003001**

NOT SCALED DRAWING	TOLERANCE UNLESS OTHERWISE NOTICE	INCH	MM	DR.	DATE
THIRD ANGLE PROJECTION	LINEAR	00±0.01	00±0.25	Steven	JUL-30 '04
		000±0.005	000±0.13	Johnn	JUL-30 '04
	ANGLE +0°30'	0000±0.002	0000±0.05	Billy	JUL-30 '04