



**SPECIFICATION :**

**1. Electrical Char.**

Insulation Resistance : 500M-Ohm Min.  
 Contact Resistance : 20milli-Ohm Max.  
 Rating Current : 1.5A Max.  
 Rating Voltage : 120V AC  
 Dielectric Voltage : 1,000 Vrms 60 Sec. Min.

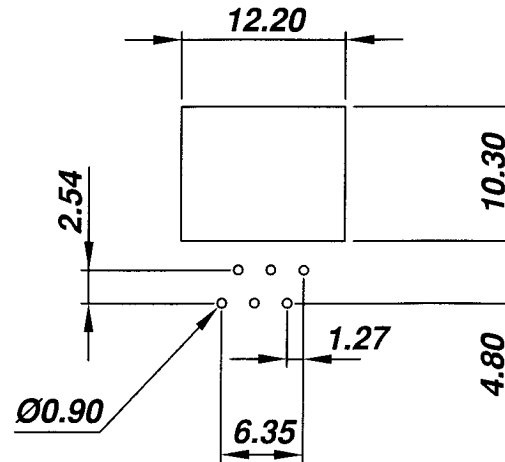
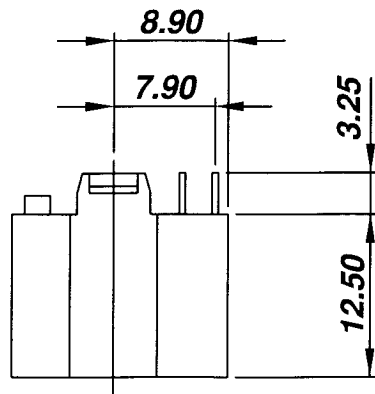
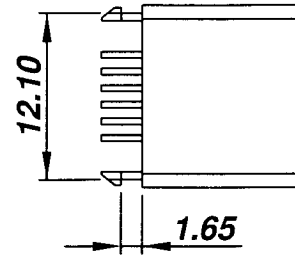
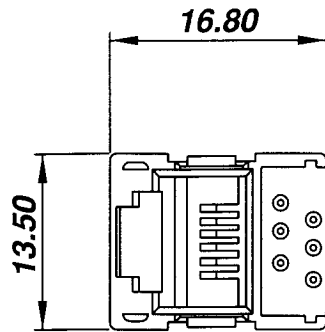
**2. Physical char.**

Housing : PBT Glass Filled (UL 94V-0)  
 Color : Black Color  
 Spring Wire : 0.45mm Dia. Phosphor Bronze  
 Gold Plating Over Nickel  
 Temperature Range : - 25 /+90 Deg C

**AJ-002-6-X-X**

B=6p2c, C=6p4c  
 D=6p6c

Gold plated  
 1=15u, 3=50u  
 2=30u, 4= 6 u



**PCB LAYOUT  
 ( Bottom View )**

**ALLSUN CORPORATION**

9FL,NO.292 SEC.7 CHENG TEH ROAD.TAIPEI TAIWAN.

E - mail Address : allsun @globalsources. com

TITLE

**RJ11 or RJ12 BOTTOM ENTRY PCB JACK  
 UL & cUL FILE NO. E131820**

**MODULAR JACKS ASSY FOR  
 AJ-002-6-X-X**

**SCALE SIZE DWG. NO.9622 SERIES**

NOT SCALED DRAWING	TOLERANCE UNLESS OTHERWISE NOTICE	INCH	MM	DR.	DATE
 THIRD ANGLE PROJECTION	LINEAR $\frac{MM}{INCH}$	00±0.01	00±0.25	Steven	JUL-29 '04
		000±0.005	000±0.13	Johnn	JUL-29 '04
	ANGLE +0°30'	RADIL	+0.45 -0.15	Billy	JUL-29 '04

DWG. NO.  
**AS002001**