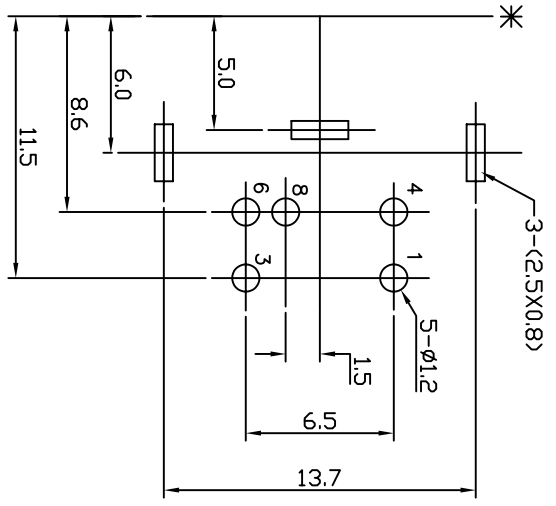
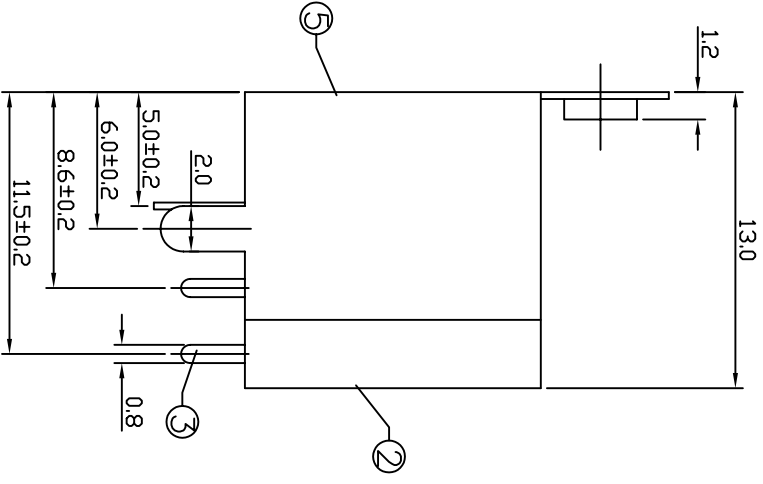
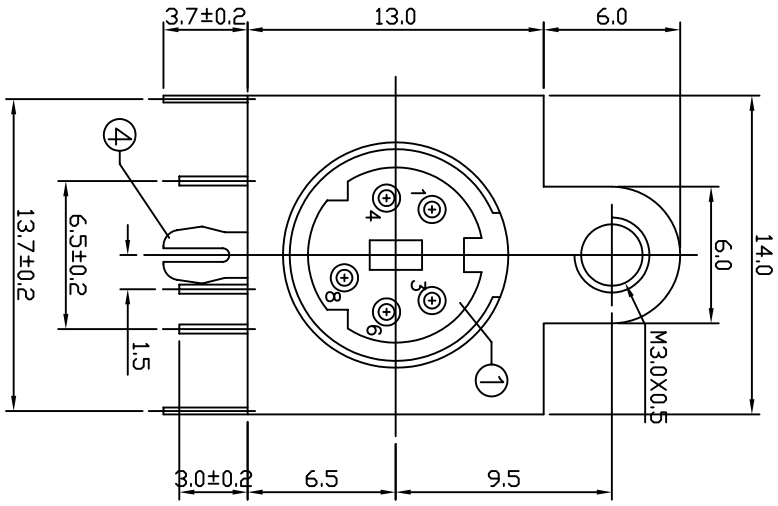
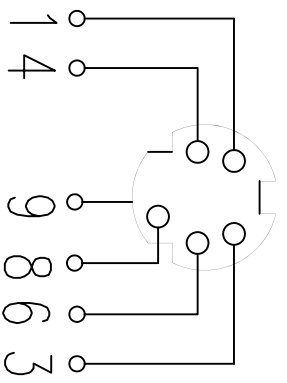


* REVISIONS				
LTR	DESCRIPTION	DATE	REVISED	APPROVED



T:1.6 Dimensions of PC board holes
Tolerance : ±0.1(Printed-top view)



LEAD FREE

5	COAT	1	BRASS	MB:Cu	Cu/Sn	PLATED
4	GROUND CONTACT	1	BRASS	MB:Cu	Cu/Sn	PLATED
3	CONTACT FOOT	5	BRONZE	MB:Cu	Ag	PLATED
2	COVER	1	BRASS	MB:Cu	Cu/Sn	PLATED
1	HOUSING	1	PBT			

LTR	PART NAME	QTY	MATERIAL(THICK,COLOR)	REMARK
DSND	XMO CUI	DATE	2006.07.01	NAME
DWN	HU LUN	DATE	2006.07.01	3RD ANGLE PROJECTION
CHKD	GAO WEI	DATE	2006.07.01	CAT. NO.
APVD	JACKY	DATE	2006.07.01	UNIT: mm
				WT-09016-5

Unless Otherwise Tolecified Tolerance On Decimal:±0.3

KYOYAKU ENTERPRISES LTD.

DWN.NO. WL-09016 001