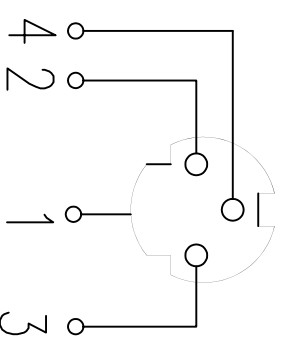
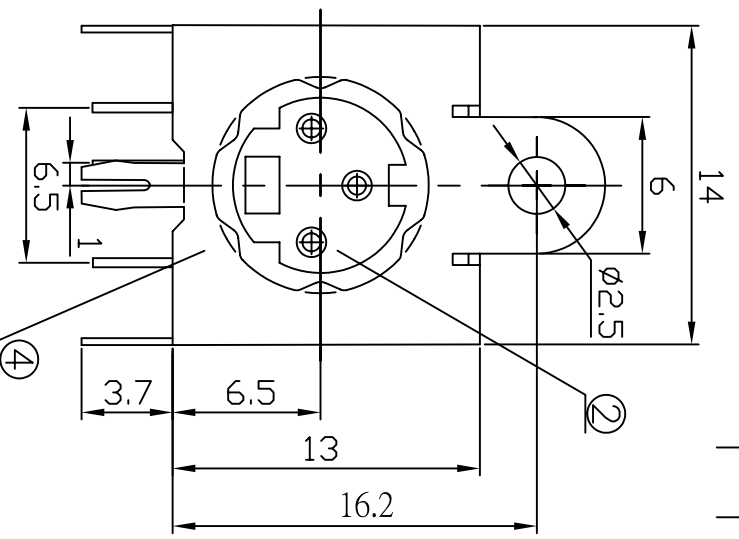
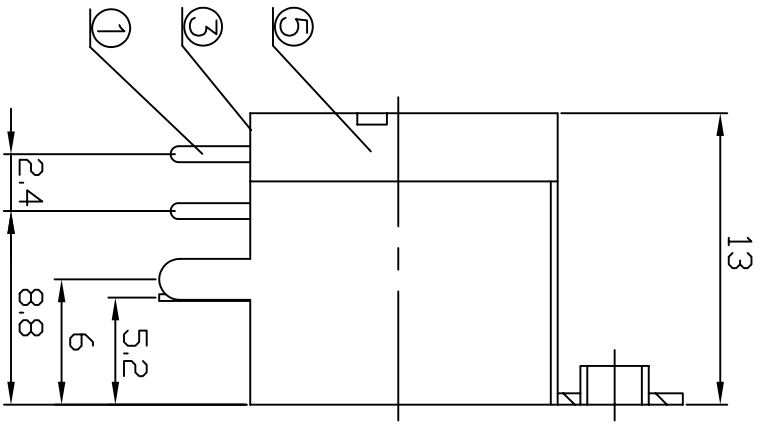
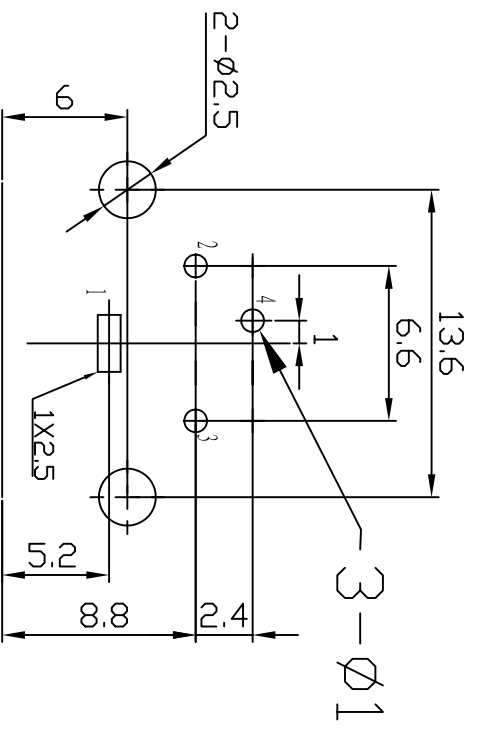
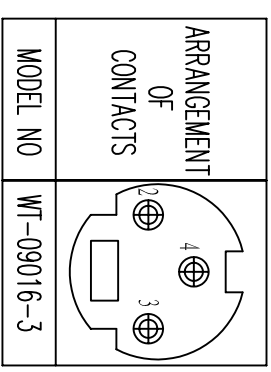


* REVISIONS				
LTR	DESCRIPTION	DATE	REVISED	APPROVED



SCHEMATIC DIAGRAM



T:1.6 Dimensions of PC board holes
 Tolerance : ±0.1(Printed-top view)
 Unless Otherwise Toleranced On Decimal:±0.3

LEAD FREE

5	COAT	1	C2680	t=0.3	MR:Cu	Cu/Sn	PLATED
4	SHIELDED PLATE	1	C2680	t=0.5	MR:Cu	Cu/Sn	PLATED
3	COVER	1	PBT				
2	HOUSING	1	PBT				
1	TERMINAL	3	C5191	t=0.4	MR:Cu	Ag	PLATED

LTR	PART NAME	QTY	MATERIAL(THICK,COLOR)	REMARK
DSND	XMO CUI	DATE	2006.07.01	NAME
DWN	HU LUN	DATE	2006.07.01	3RD ANGLE PROJECTION
CHKD	GAO WEI	DATE	2006.07.01	CAT. NO.
APVD	JACKY	DATE	2006.07.01	UNIT: mm

KYOYAKU ENTERPRISES LTD. DWN.NO. WL-09016 001