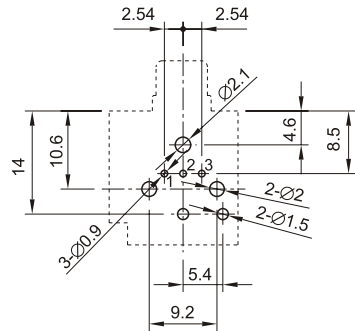
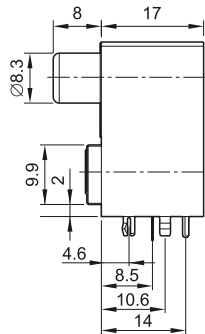
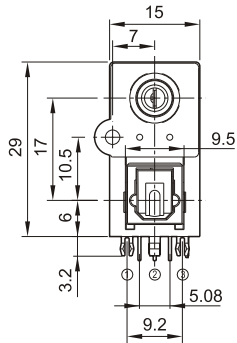


OC-0806

(With Screw Hole Type)



BOTTOM VIEW

MODEL NO.	OC-0806
SCHEMATIC	

Transmitter	
Vin	①
Vcc	②
GND	③